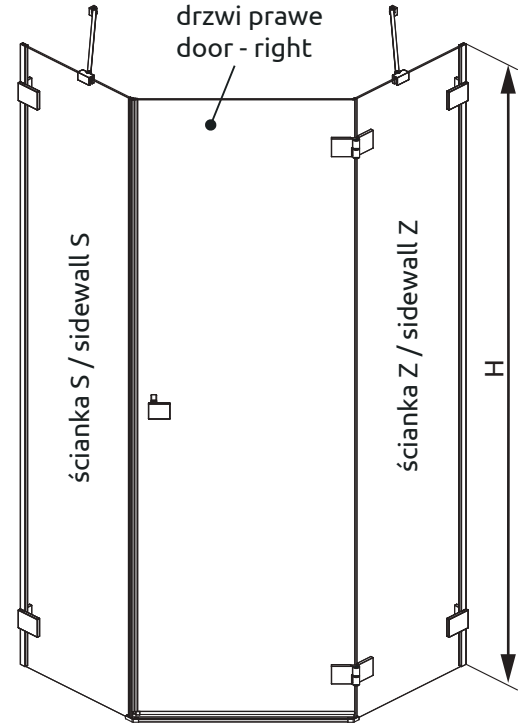
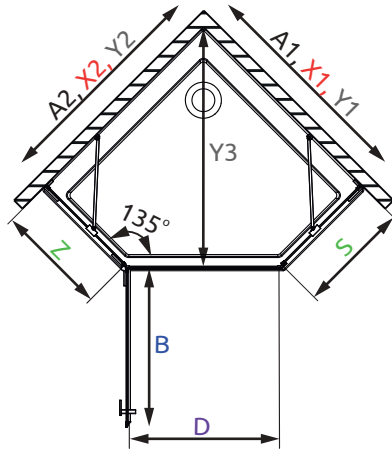


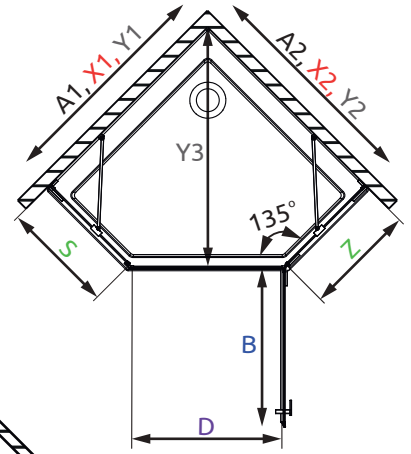
Wariant LEWY
Variant L



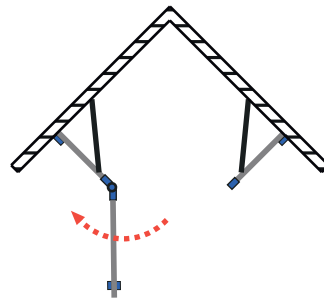
Wariant PRAWY
Variant R



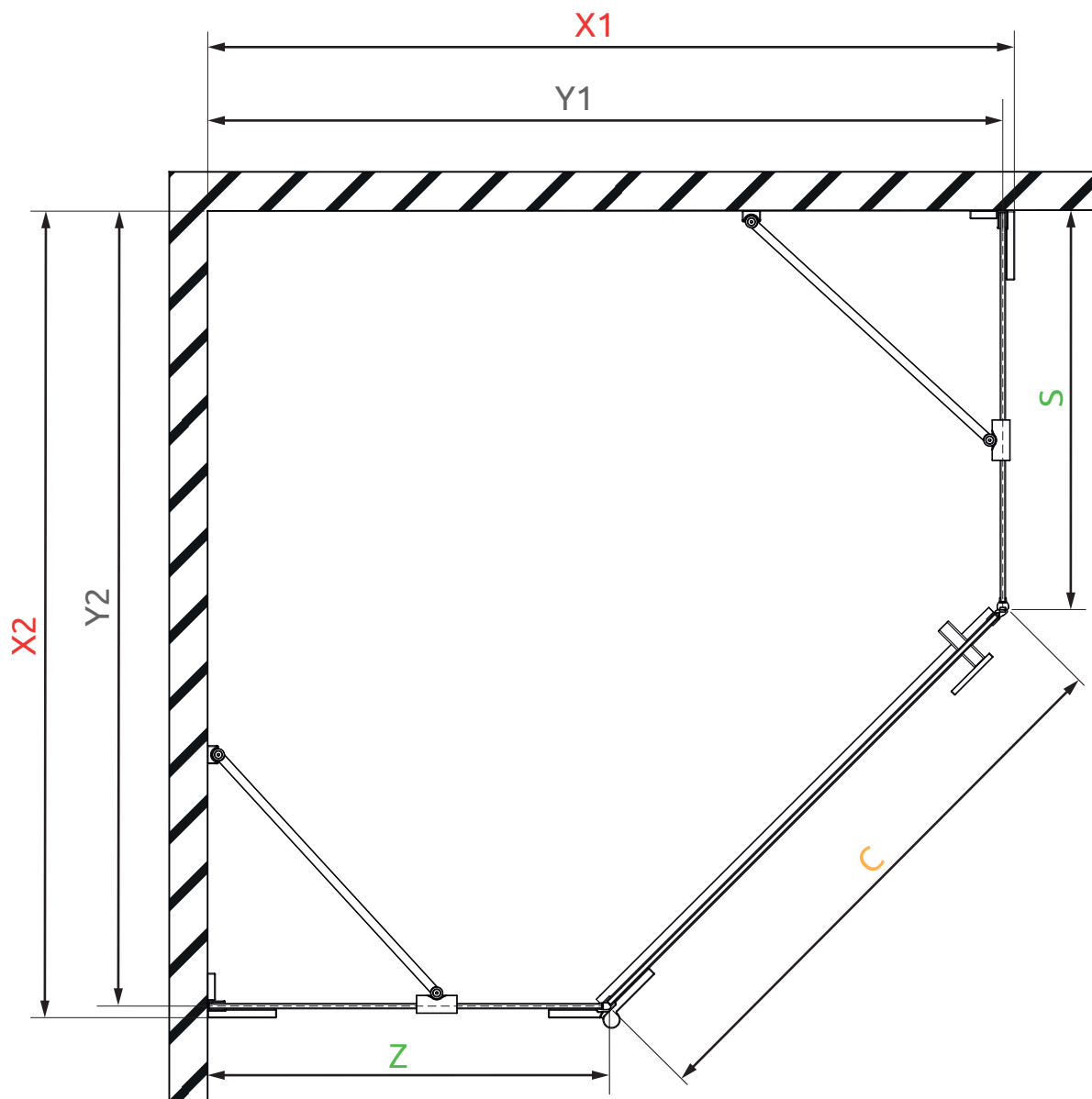
Wariant LEWY / Variant L



Wariant PRAWY / Variant R



Model	A1	A2	X1	X2	Y1	Y2	Y3	B	Z	S	D	H
PTJ 80Zx80S	800	800	789-797	789-797	776-784	776-784	788-799	638	345-353	340-348	600	2000
PTJ 90Zx90S	900	900	889-897	889-897	876-884	876-884	930-941	638	445-453	440-448	600	2000
PTJ 100Zx100S	1000	1000	989-997	989-997	976-984	976-984	1071-1082	638	545-553	540-548	600	2000
PTJ 80Zx90S	800	900	789-797	889-897	776-784	876-884	859-870	638	345-353	440-448	600	2000
PTJ 80Zx100S	800	1000	789-797	989-997	776-784	976-984	930-941	638	345-353	540-548	600	2000
PTJ 90Zx80S	900	800	889-897	789-797	876-884	776-784	859-870	638	445-453	340-348	600	2000
PTJ 90Zx100S	900	1000	889-897	989-997	876-884	976-984	1000-1011	638	445-453	540-548	600	2000
PTJ 100Zx80S	1000	800	989-997	789-797	976-984	776-784	930-941	638	545-553	340-348	600	2000
PTJ 100Zx90S	1000	900	989-997	889-897	976-984	876-884	1000-1011	638	545-553	440-448	600	2000



Model	X1*	X2*	Y1*	Y2*	Z*	S*	C*
PTJ 80Zx80S	789	789	776	776	345	340	615
PTJ 90Zx90S	889	889	876	876	445	440	615
PTJ 100Zx100S	989	989	976	976	545	540	615
PTJ 80Zx90S	789	889	776	876	345	440	615
PTJ 80Zx100S	789	989	776	976	345	540	615
PTJ 90Zx80S	889	789	876	776	445	340	615
PTJ 90Zx100S	889	989	876	976	445	540	615
PTJ 100Zx80S	989	789	976	776	545	340	615
PTJ 100Zx90S	989	889	976	876	545	440	615

*Wymiary dotyczą montażu typowej kabiny montowanej zgodnie z instrukcją montażu
 *All dimensions refer to standard shower installation in accordance with the assembly instruction

